

NetController 6013 – District Heat + Heat pump (HS1+WW)

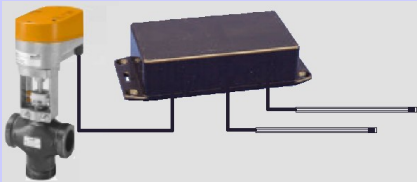
NC6013



NC6013

NetController, design to handle control and supervisory function for a district heating station and a heat pump and continues transfer measured values to a central SQL database accessible by the Internet

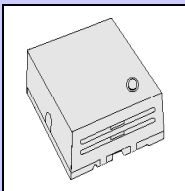
NT5080R



Control functions

On/Off heating water pump by time Schedule according to week day, holiday and summer. Outgoing temperature control from heat pump adjusted by outside air temperature Heating water temperature control adjusted by outside air temperature and reference room temperature. Warm water temperature control to constant (55 °C)

NT5082



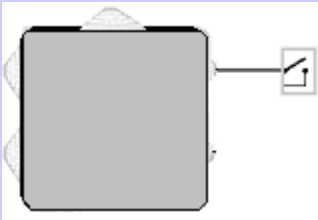
Measurement

Supply and return water temperature, heating water. Supply and return water temperature, warm water. Heating load end energy. Cold water flow

Alarm transfer by E-mail

High difference between measured value and set point value
High energy consumption degree day.

NT5084 / NT5088



Included NetTerminal

NT5080C a 433 MHz transceiver connected to the 1-wire port.

NT5080R a 433 MHz local controller holding 2 temperature sensors, a 0-10V and a Increase / Decrease (24V, AC) control signal NC is transmitting the actual set point value.

NT5082 a battery supplied temperature sensor based on the DS18B20 1-wire sensor from Dallas Semiconductor holding 1/16 °C resolution.

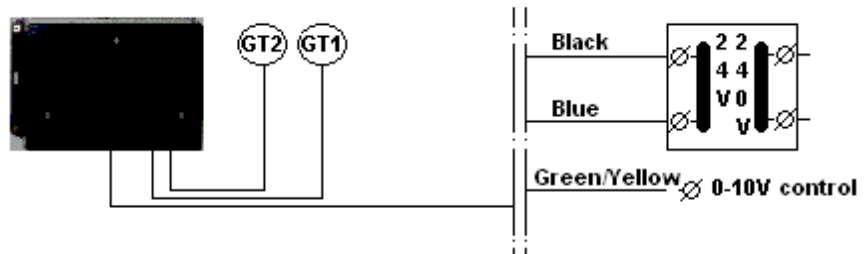
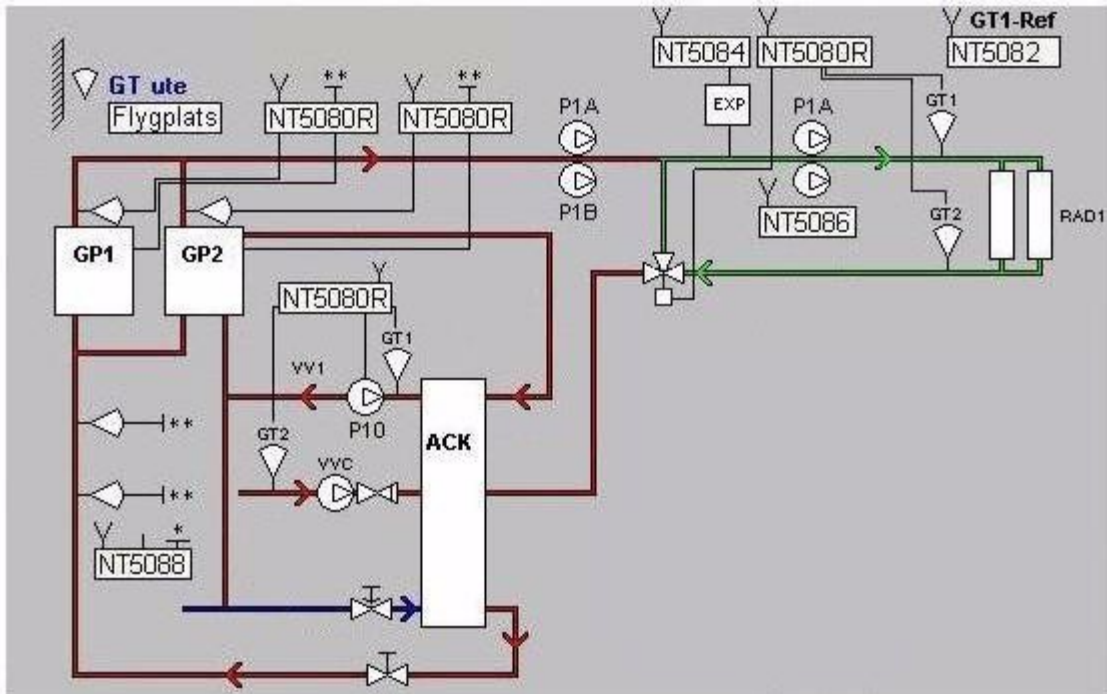
NT5086



NT5084 a battery supplied alarm sensor (0-10V).

NT5086 a receiver for On/Off control of a 230 V, AC control circuit for ex. a pump or an AHU. NT5086 is powered by the control circuit and is controlled by the NT5080C. (433 MHz)

NT5088 a battery supplied pulse counter for measurement of two potential free signals, max 2 kHz).



NT5080R is to be installed nearby existing motor valve, radiators and connected to its 24V supply
 Temperature sensor GT1 (supply) and GT2 (return) shall by strap on be installed on the pipe
 surface and isolated to prevent misreading by heat loss.
 NT5080R will control the supply water temperature by the 0-10V control signal and get its Set
 Point value by radio from NetController